

Compact Size KM-M Strain Transducer

Smaller diameter enables strain measurement during the curing process of concrete, mortar, asphalt, synthetic resin, etc. with thin cover thicknesses!

Features

- Smaller diameter (**50% by volume compared to conventional products**)
- Applicable to concrete, mortar, asphalt, and synthetic resin with thin cover thickness
- Applicable to measurement of surface strain on cut beams and steel sheet piles of mountain retaining
- Possible to measure from young lumber age
- Low apparent modulus of elasticity, so it can be measured from the concrete hardening process (Conventional product 40N/mm² → KM-M approx. 25N/mm²)
- Possible to measure strain and temperature simultaneously (KM-100HM, KM-100MT)

"KM-M Strain Transducer" have extremely high insulation properties and can measure strain with high accuracy. The "Strain Transducer with built-in temperature measuring function" can measure strain and temperature at the same time, which greatly simplifies wiring work. In addition, a wide variety of related products enable measurement of not only internal strain of concrete but also surface strain of steel materials such as "concrete surface" and "H-shaped steel".



Protection ratings :
IP 68 equivalent

Specifications

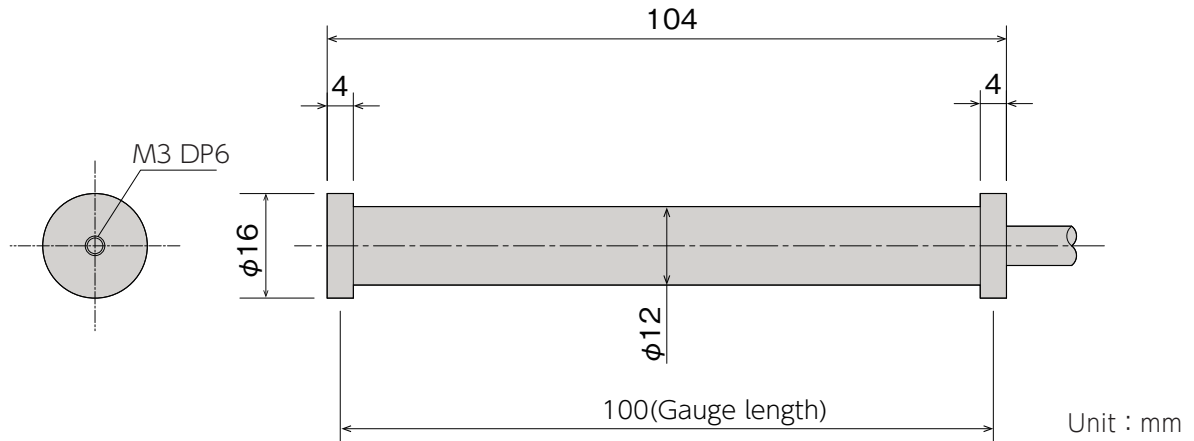
Type	KM-100M	KM-100HM	KM-100MT
Capacity	±5000×10 ⁻⁶ strain		
Gauge length	100mm		
Rated output (Approx.)	approx. 2.5mV/V(5000×10 ⁻⁶ strain)		
Non-linearity	2%RO		
Apparent elastic modulus	approx. 25N/mm ²		
Temperature measurement	-	Strain gauge 350Ω Quarter bridge 3-wire method (approx. 50×10 ⁻⁶ strain/°C)	Thermocouple T
Allowable temperature range	-20~+60°C	-20~+180°C	-20~+60°C
Input/output resistance	350Ω Full bridge		

Input-output cable

- KM-100M φ6mm 0.35mm² 4-core shielded chloroprene cable 2m, free end
 KM-100HM φ6mm 0.3mm² 5-core shielded fluoroplastic cable 2m free end
 KM-100MT φ6mm 0.18mm² 4-core shielded T-thermocouple compound cable, free end

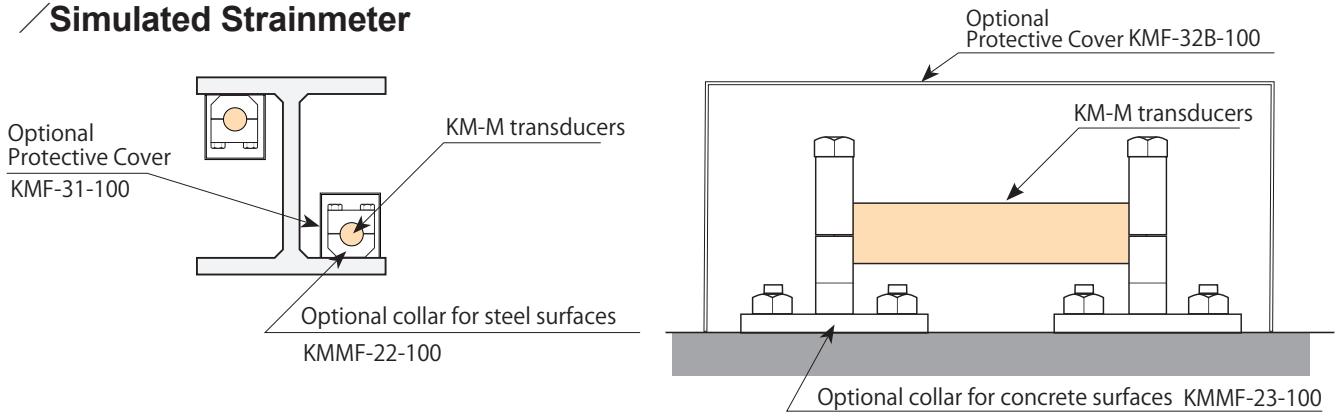
Dimension

Common to all KM-M/KM-HM/KM-MT models



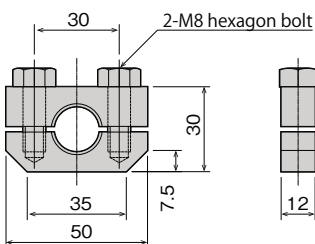
Related products

Optional collar for steel and concrete surfaces / Optional Protective Cover / Simulated Strainmeter

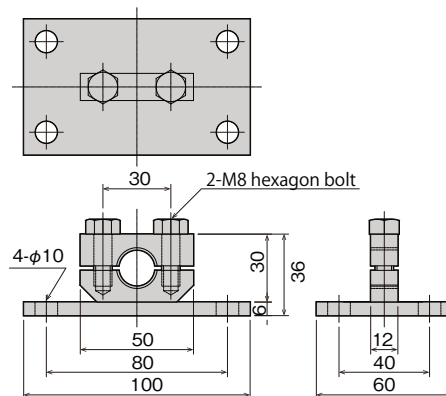


External Dimensions

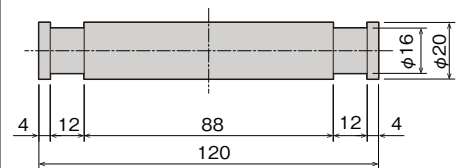
For steel surfaces
Optional Collar
KMMF-22-100



For concrete surfaces
Optional Collar KMMF-23-100



Simulated strainmeter
KMMF-12-100



Unit : mm

The contents of this catalog are subject to change without prior notice.
The contents of this catalog are as of March 2024. TML Pam E2044A.



Approval Certificate ISO9001
Design and manufacture of
strain gauges, strain measuring
equipment and transducers



8-2, Minami-ohi 6-chome, Shinagawa-ku, Tokyo 140-8560, JAPAN
TEL: +81-3-3763-5614 FAX: +81-3-3763-6128

