

September 13, 2019

SPECIFICATIONS

Product Low-capacity Tri-axial
Acceleration Transducer

Type ARF-20A-T

Tokyo Measuring Instruments Laboratory Co., Ltd.

R&D Division

Prepared by: Takakuni Aida

Supervised by: Shunsuke Ezama

Approved by: Yutaka Sato

SPECIFICATIONS

Type:	ARF-20A-T			
Capacity:	20		m/s^2	*(2.04 G)
Rated output:	Approx. 0.5		mV/V	
	Approx. 1000		$\times 10^{-6}$	(Strain output K=2.00)
Nonlinearity:	1		%RO	
Frequency response range:	DC ~ 80		Hz	(Sensitivity deviation $\pm 10\%$)
Natural frequency:	150		Hz	
Cross sensitivity:	3		%RO	
Allowable temperature range:	-10	~	+50	$^{\circ}\text{C}$
Allowable overload:	300		%	
Input/output resistance:	120		Ω	
Recommended exciting voltage:	2		V or less	
Allowable exciting voltage:	5		V	
Weight:	Approx. 85		g	
Protection rating:	IP	61	equivalent	
Input/output cable:	$\Phi 3.2\text{mm}$	0.08 mm^2	4-core shielded vinyl cable	5 m

* Value in gravitational system of units is shown in parentheses for reference purposes.

A

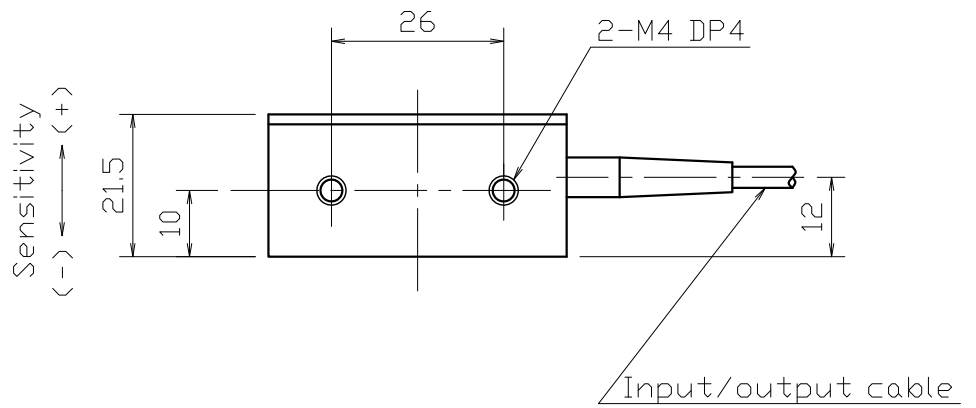
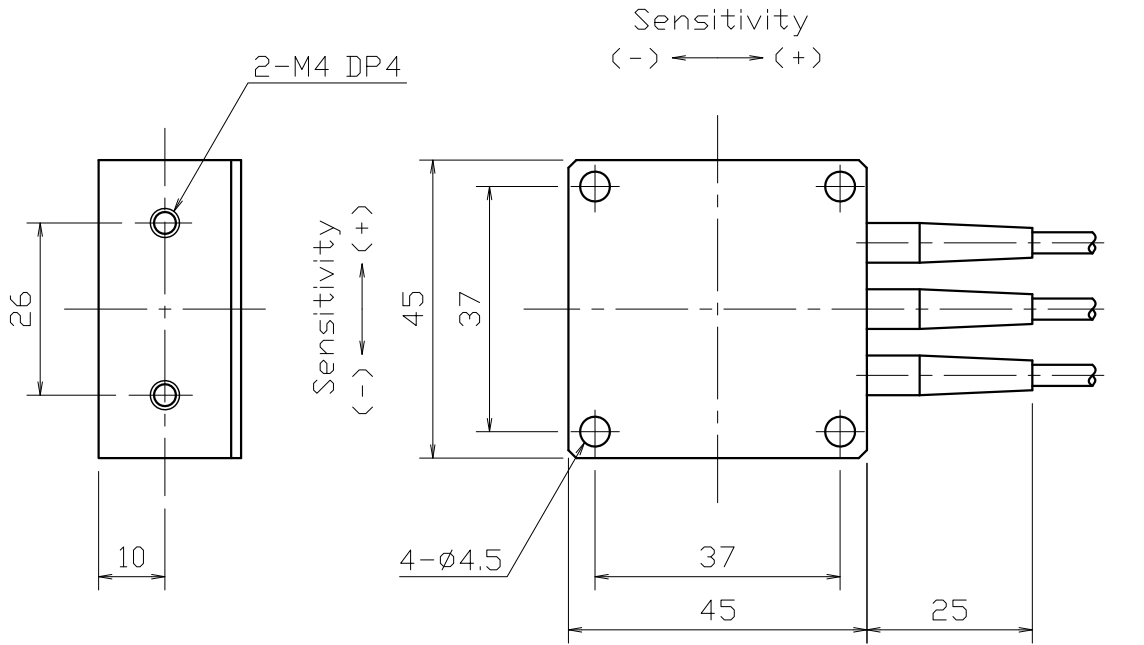
B

C


D

E

F



Unit: mm

PRODUCT NAME	ARF-20A-T
DRAWING NAME	Outer view
DRAWING NUMBER	F22-002020(E)
 Tokyo Measuring Instruments Lab.	