

September 13, 2019

## SPECIFICATIONS

Product Low-capacity Tri-axial  
Acceleration Transducer

Type ARF-500A-T

Tokyo Measuring Instruments Laboratory Co., Ltd.

R&D Division

Prepared by: Takahiro Aida

Supervised by: Shunsuke Egusa

Approved by: Yutaka Seto

## SPECIFICATIONS

Type:	ARF-500A-T			
Capacity:	500		$\text{m/s}^2$	*( 51.0 G )
Rated output:	Approx. 0.5		$\text{mV/V}$	
	Approx. 1000		$\times 10^{-6}$	(Strain output K=2.00)
Nonlinearity:	1		%RO	
Frequency response range:	DC ~ 520		Hz	(Sensitivity deviation $\pm 10\%$ )
Natural frequency:	870		Hz	
Cross sensitivity:	3		%RO	
Allowable temperature range:	-10	~	+50	$^{\circ}\text{C}$
Allowable overload:	300		%	
Input/output resistance:	120		$\Omega$	
Recommended exciting voltage:	2		V or less	
Allowable exciting voltage:	5		V	
Weight:	Approx. 85		g	
Protection rating:	IP	61	equivalent	

Input/output cable:	$\Phi 3.2\text{mm}$	$0.08 \text{ mm}^2$	4-core shielded vinyl cable	5 m
---------------------	---------------------	---------------------	-----------------------------	-----

\* Value in gravitational system of units is shown in parentheses for reference purposes.

A

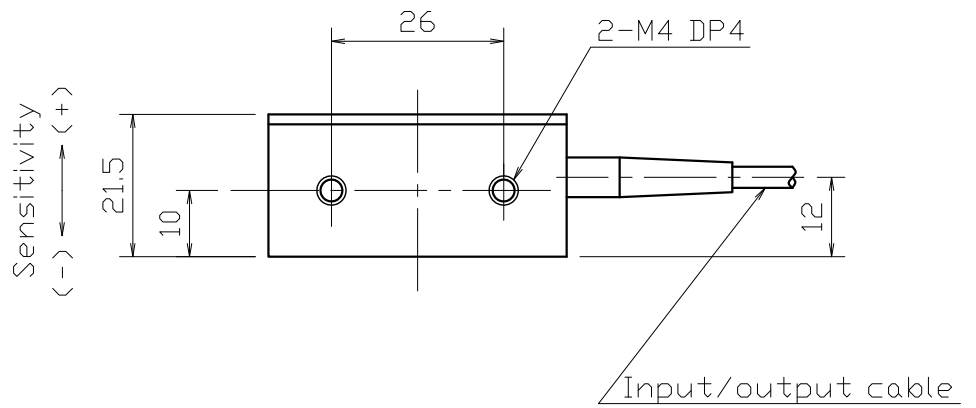
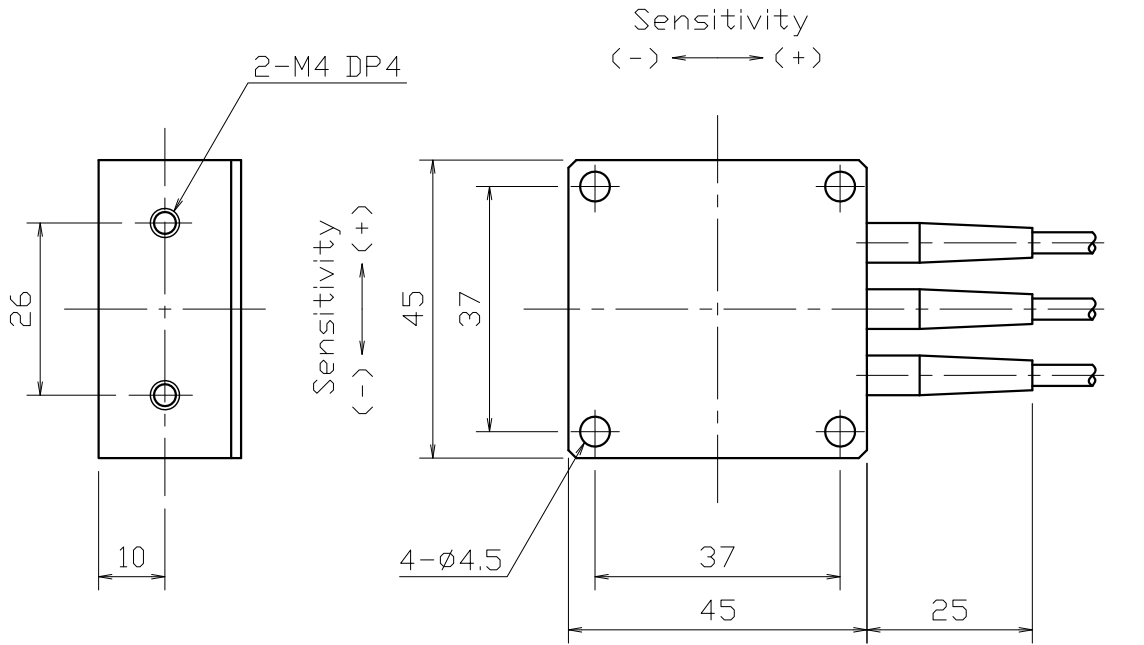
B

C


D

E

F



Unit: mm

PRODUCT NAME	ARF-500A-T
DRAWING NAME	Outer view
DRAWING NUMBER	F22-00208D(E)
 Tokyo Measuring Instruments Lab.	