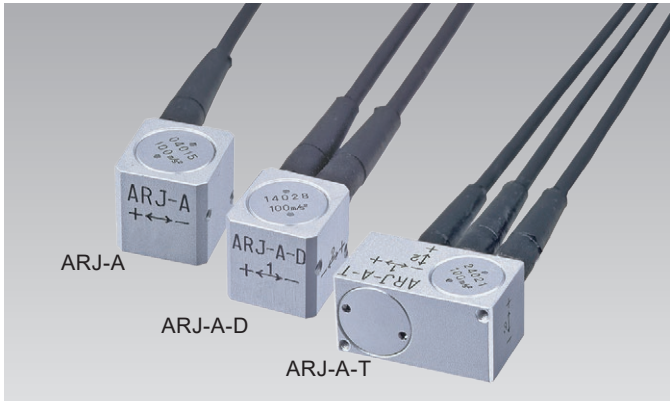


# ACCELERATION TRANSDUCERS

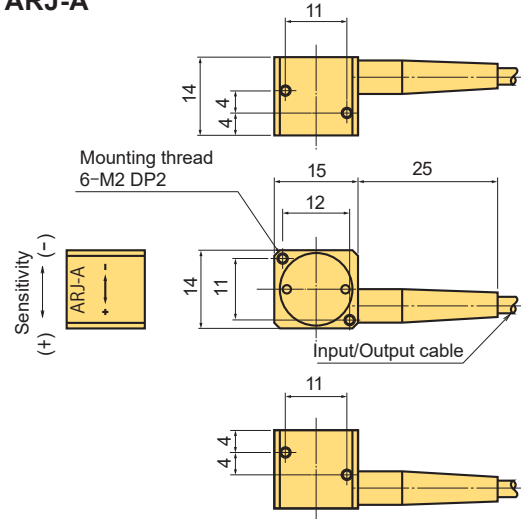
## ARJ series Acceleration Transducer 50~2000m/s<sup>2</sup>



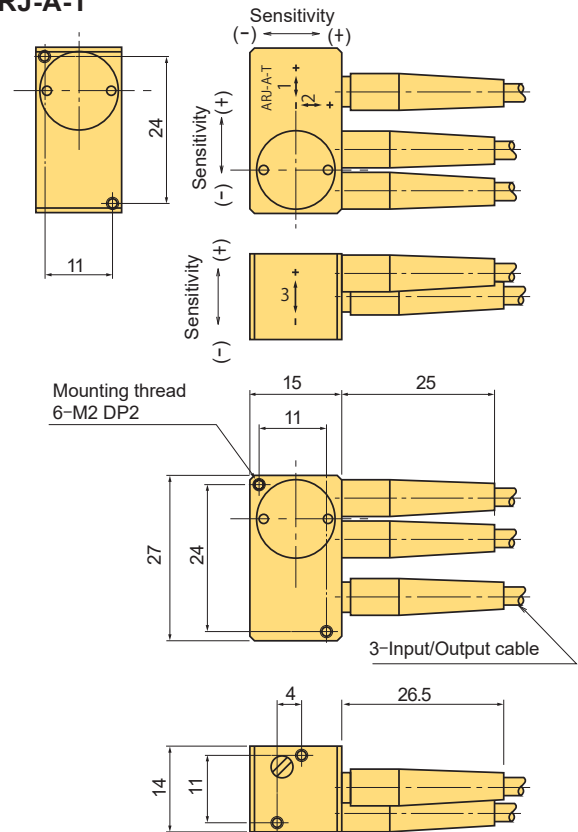
The ARJ series acceleration transducer is small in size and has highly responsive characteristics. This series is developed to measure the acceleration of machinery, vehicles, ships, civil engineering structures, buildings, and so forth. And the series consists of uni-axial model ARJ-A, bi-axial model ARJ-A-D with the same size and weight as the uni-axial model, and tri-axial model ARJ-A-T with the same height as the uni-, bi-axial models and weighs times double of the bi-axial model.

Protection ratings: IP61 equivalent

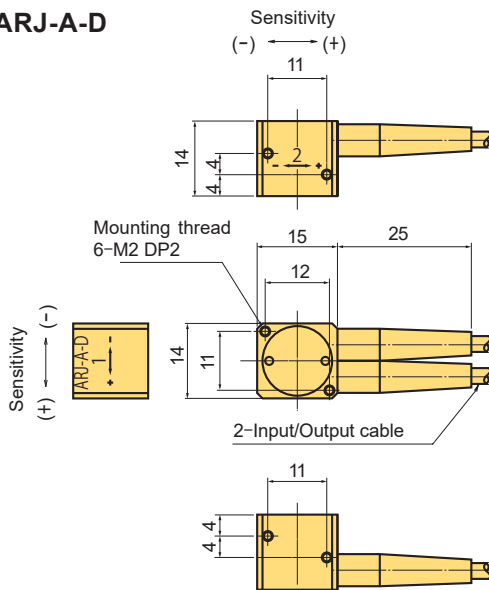
### ARJ-A



### ARJ-A-T



### ARJ-A-D



## SPECIFICATIONS

TYPE	Uni-axial Bi-axial Tri-axial	ARJ-50A ARJ-50A-D ARJ-50A-T	ARJ-100A ARJ-100A-D ARJ-100A-T	ARJ-200A ARJ-200A-D ARJ-200A-T	ARJ-500A ARJ-500A-D ARJ-500A-T	ARJ-1000A ARJ-1000A-D ARJ-1000A-T	ARJ-2000A ARJ-2000A-D ARJ-2000A-T
Capacity		50m/s <sup>2</sup>	100m/s <sup>2</sup>	200m/s <sup>2</sup>	500m/s <sup>2</sup>	1000m/s <sup>2</sup>	2000m/s <sup>2</sup>
Rated Output		0.5mV/V(1000×10 <sup>-6</sup> strain)					
Non-linearity		1%RO					
Frequency response range (※)		DC~150Hz	DC~300Hz	DC~500Hz	DC~780Hz	DC~1kHz	DC~2kHz
Natural frequency		280Hz	500Hz	830Hz	1kHz	2kHz	3kHz
Cross sensitivity		3%RO (except uni-axial model ARJ-A)					
Allowable temperature range		-10 ~ +60°C	-10 ~ +50°C				
Over load		300%					
Input/Output resistance		Approx. 1kΩ					
Recommended exciting voltage		5V or less					
Allowable exciting voltage		15V					
Weight	Uni-axial	13g	12g	12g	10g	11g	11g
	Bi-axial	14g	13g	13g	11g	12g	12g
	Tri-axial	27g	25g	24g	20g	22g	22g

※ Sensitivity deviation ±5%

Input/Output cable : φ 3.2mm 0.08mm<sup>2</sup> 4-core shielded vinyl cable 5m Shield of Input/Output cable is grounded to the body.