

CLU-NA Compression Load Cell 10kN~1MN



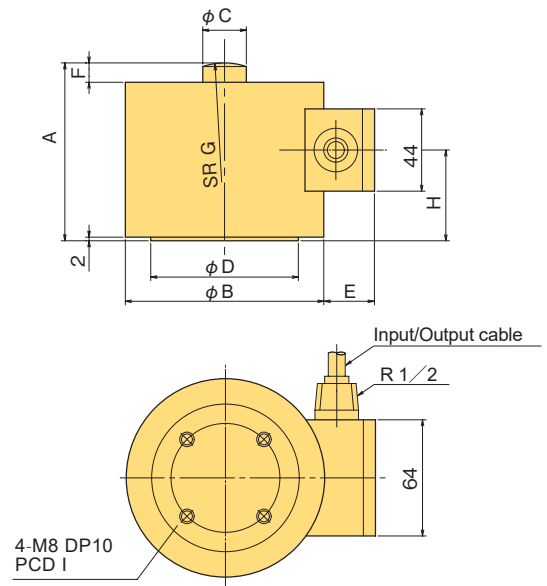
The CLU-NA is an inert-gas encased load cell in a hermetically sealed package. It can take highly precise and consistent measurements over long periods of time.

NB: Available with built-in two isolated I/O ports at option

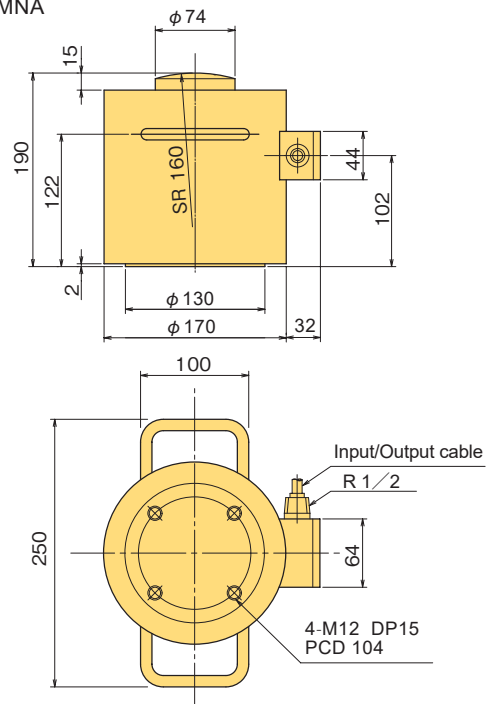
Protection ratings: IP65 equivalent

Inert gas hermetically sealed

CLU-10~500KNA



CLU-1MNA



■ DIMENSIONS

TYPE	A	φB	φC	φD	E	F	G	H	I
CLU-10KNA	84	92	22	68	28	10	60	42	54
CLU-20KNA	84	92	22	68	28	10	60	42	54
CLU-50KNA	84	92	22	68	28	10	60	42	54
CLU-100KNA	96	108	24	80	28	10	80	49	60
CLU-200KNA	114	118	34	90	29	12	100	57	70
CLU-500KNA	158	160	50	120	31	15	140	82	100
CLU-1MNA	As per the figure								

■ FITTING ACCESSORY

TYPE	Spherical Cap FA	Mounting Flange FB	Slide Support FC
CLU-10KNA~ 50KNA	FA-60	FB-5-54	FC-5-60
CLU-100KNA	FA-80	FB-10-60	FC-20-80
CLU-200KNA	FA-100	FB-20-70	FC-20-100
CLU-500KNA	FA-140	FB-50-100	FC-50-140
CLU-1MNB	FA-160	FB-100-104	-

Refer to pages 35~38 for load cell fitting accessories.

■ SPECIFICATIONS

TYPE	CLU-10KNA	CLU-20KNA	CLU-50KNA	CLU-100KNA	CLU-200KNA	CLU-500KNA	CLU-1MNA
Capacity	10kN	20kN	50kN	100kN	200kN	500kN	1MN
Rated Output	2mV/V (4000×10 ⁻⁶ strain) ±0.2%						
Non-linearity	0.15%RO						
Hysteresis	0.05%RO						
Natural frequency	5.2kHz	9.5kHz	12kHz	13kHz	11kHz	9kHz	7kHz
Temperature effect on zero	0.005%RO/°C						
Temperature effect on span	0.005%/°C						
Compensated temperature range	-10 ~ +60°C						
Allowable temperature range	-30 ~ +80°C						
Over load	150%						
Input/Output resistance	350Ω±1%						
Recommended exciting voltage	10V or less						
Allowable exciting voltage	20V						
Zero balance	5%RO						
Weight	2.2kg	2.2kg	2.2kg	3.2kg	4.3kg	11kg	15kg

Input/Output cable : φ9mm 0.5mm² 4-core shielded chloroprene cable 5m