

KCE-NA Center-hole type Compression Load Cell

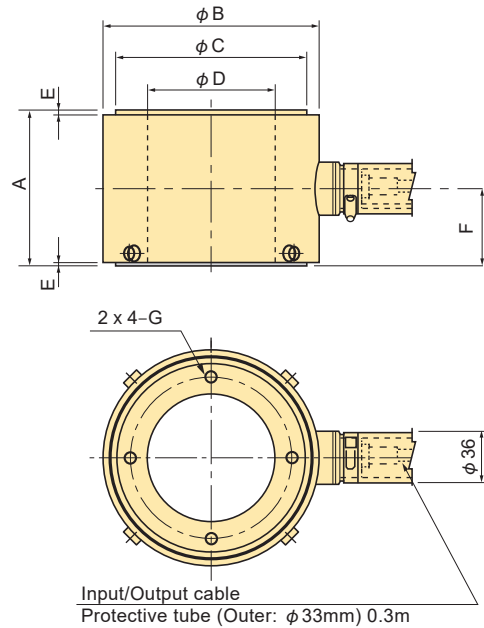
Civil engineering design



The KCE-NA is a center-hole-type load cell designed to use in tension measurement of anchoring strand. It can deliver stable measurement performance under somewhat eccentric load. An extra model with built-in temperature sensor is available.

Protection ratings: IP67 equivalent

Small effect of eccentric load



■ DIMENSIONS

TYPE	A	φ B	φ C	φ D	E	F	G
KCE-500KNA	77.5	130	113	82	2	39	M8 DP10 PCD 98
KCE-1MNA	109	150	134	90	2	54.5	M10DP12 PCD112
KCE-1.5MNA	115	185	160	110	4	57.5	M12DP15 PCD136
KCE-2MNA	155	215	188	140	5	77.5	M12DP15 PCD164

■ SPECIFICATIONS

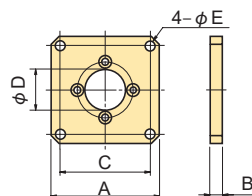
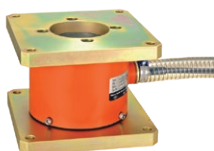
TYPE	KCE-500KNA	KCE-1MNA	KCE-1.5MNA	KCE-2MNA
Capacity	500kN	1MN	1.5MN	2MN
Rated Output	1.25mV/V (2500×10 ⁻⁶ strain) ±10%			
Non-linearity	0.5%RO			
Hysteresis	0.5%RO			
Natural frequency	16kHz	12kHz	12kHz	9.2kHz
Temperature effect on zero	0.1%RO/°C			
Temperature effect on span	0.05%/°C			
Compensated temperature range	-10 ~ +60°C			
Allowable temperature range	-20 ~ +70°C			
Over load	120%			
Input/Output resistance	350Ω±1%			
Recommended exciting voltage	10V or less			
Allowable exciting voltage	20V			
Zero balance	5%RO			
Weight	4.0kg	8.5kg	12.2kg	21kg

Input/Output cable : φ 9mm 0.5mm² 4-core shielded chloroprene cable 5m

■ ACCESSORY

● FLANGE KCEF-11

This flange is a pressure plate used to secure a load cell to a structure.

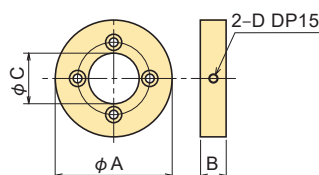


■ Dimensions

Type	Applicable Load Cell	A	B	C	φ D	φ E	Weight
KCEF-11-50	KCE-500KNA	180	20	150	82	12.5	4.1kg
KCEF-11-100	KCE-1MNA	200	20	170	90	12.5	5.1kg
KCEF-11-150	KCE-1.5MNA	220	35	190	110	12.5	10.4kg
KCEF-11-200	KCE-2MNA	250	35	220	140	12.5	13 kg

● FLANGE KCEF-12

This flange is a pressure plate used to consistently measure eccentric loads although with limitations.



■ Dimensions

Type	Applicable Load Cell	φ A	B	φ C	D	Weight
KCEF-12-50	KCE-500KNA	156	26	82	M 8	2.8kg
KCEF-12-100	KCE-1MNA	176	35	90	M10	4.9kg
KCEF-12-150	KCE-1.5MNA	206	43	110	M10	7.9kg
KCEF-12-200	KCE-2MNA	236	47	140	M12	10 kg