

Pullout testing and axial force measurement

KCM-NA Center-hole type Compression Load Cell

Civil engineering design

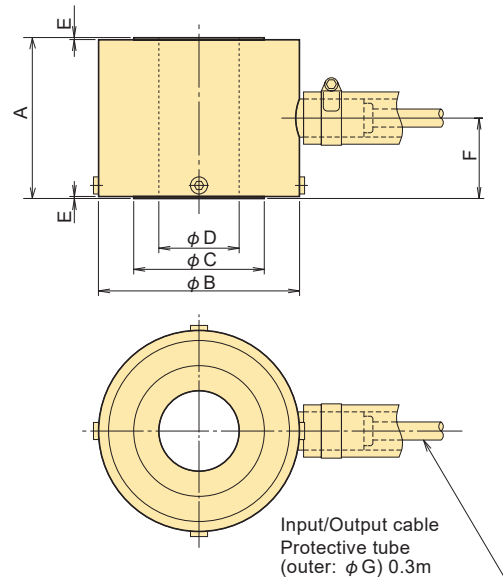


The KCM-NA is a center-hole-type load cell with a strain gauge mounted on a cylindrical strain sensing element. It is used to measure prestress or tension force on ground anchors, pullout testing and measuring axial force on tie rods. The model is especially well suited for measuring on site.

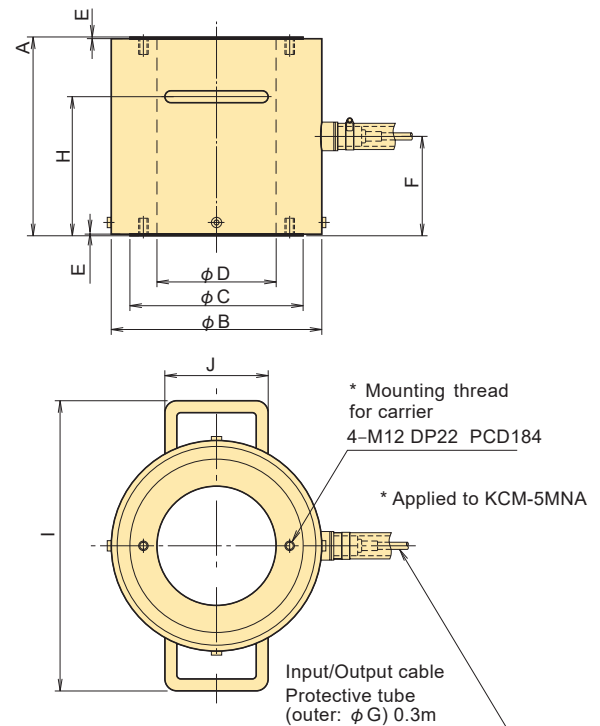
Protection ratings: IP67 equivalent

Small type
Easy handling

KCM-10KNA~ 1MNA



KCM-2MNA~ 5MNA



■ DIMENSIONS

TYPE	A	φB	φC	φD	E	F	φG	H	I	J
KCM-10KNA	50	50	18	15	1	29	26	-	-	-
KCM-20KNA	50	50	18	15	1	29	26	-	-	-
KCM-50KNA	50	50	22	15	1	29	26	-	-	-
KCM-100KNA	60	60	30	20	1	33	26	-	-	-
KCM-200KNA	70	70	44	30	1	35	26	-	-	-
KCM-300KNA	80	85	53	35	1	40	26	-	-	-
KCM-500KNA	80	100	65	40	1	40	26	-	-	-
KCM-1MNA	120	130	94	60	2	60	33	-	-	-
KCM-2MNA	160	170	135	90	2	80	33	110	234	124
KCM-3MNA	195	205	169	115	2	97.5	33	130	285	124
KCM-5MNA	250	265	218	150	2	125	33	175	365	130

■ SPECIFICATIONS

TYPE	KCM-10KNA	KCM-20KNA	KCM-50KNA	KCM-100KNA	KCM-200KNA	KCM-300KNA	KCM-500KNA	KCM-1MNA	KCM-2MNA*	KCM-3MNA*	KCM-5MNA*
Capacity	10kN	20kN	50kN	100kN	200kN	300kN	500kN	1MN	2MN	3MN	5MN
Rated Output	1.5mV/V (3000×10 ⁻⁶ strain) ±20%			1.5mV/V (3000×10 ⁻⁶ strain) ±10%							
Non-linearity	0.5%RO								1%RO		
Hysteresis	0.5%RO								1%RO		
Temperature effect on zero						0.1%RO/°C					
Temperature effect on span						0.05%/°C					
Compensated temperature range						-10 ~ +60°C					
Allowable temperature range						-20 ~ +70°C					
Over load	150%										
Input/Output resistance	350Ω±1%										
Recommended exciting voltage	10V or less										
Allowable exciting voltage	20V										
Zero balance	5%RO										
Weight	0.5kg	0.5kg	0.8kg	1.1kg	1.4kg	2kg	2.8kg	6.2kg	16kg	29kg	55kg

Input/Output cable : φ9mm 0.5mm² 4-core shielded chloroprene cable 5m *Made-to-order