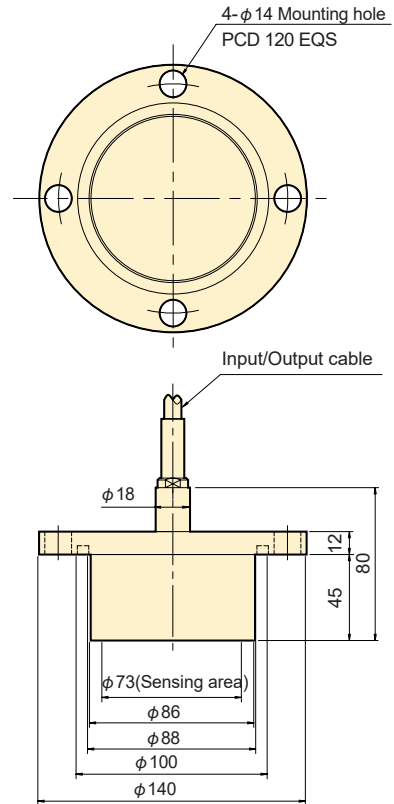
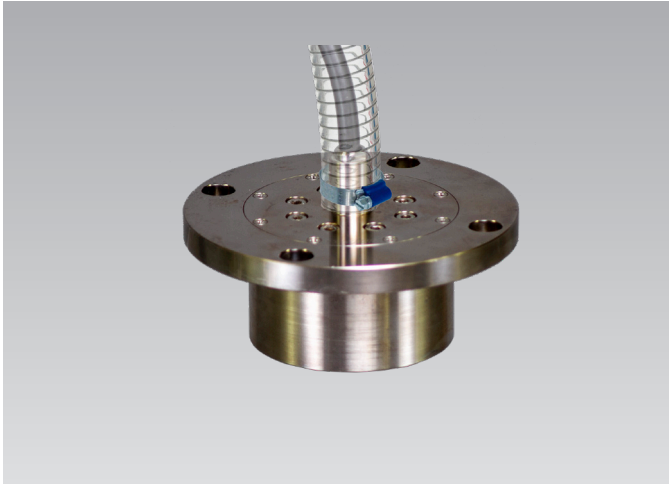


Subgrade reaction force of caisson

KKB-PC Caisson cutting-edge reaction meter

Civil engineering design



The KKB-PC is a transducer to measure the subgrade reaction force (bearing force) acting on the caisson cutting edge. The transducer is installed so that the sensing surface of the transducer is positioned in the same surface with the bottom surface of the caisson cutting edge. The subgrade reaction force is measured during the immersion and settlement of the caisson.

Protection ratings: IP 68 equivalent

When ordering, please clarify the shape of the cutting edge.

Measurement of subgrade reaction force on caisson cutting edge

■ SPECIFICATIONS

TYPE	KKB-5MPC	KKB-10MPC	KKB-15MPC
Capacity	5MPa	10MPa	15MPa
Rated output	1.0mV/V (2000x10 ⁻⁶ strain)		
Non-linearity	1%RO		
Allowable temperature range	-30 ~ +70°C (No freezing)		
Allowable overload	150%		
Input/Output resistance	350Ω		
Recommended exciting voltage	3V or less		
Allowable exciting voltage	10V		
Weight	3.2 kg		

Input/Output cable : φ9mm 0.5mm² 4-core shielded chloroprene cable 2m

