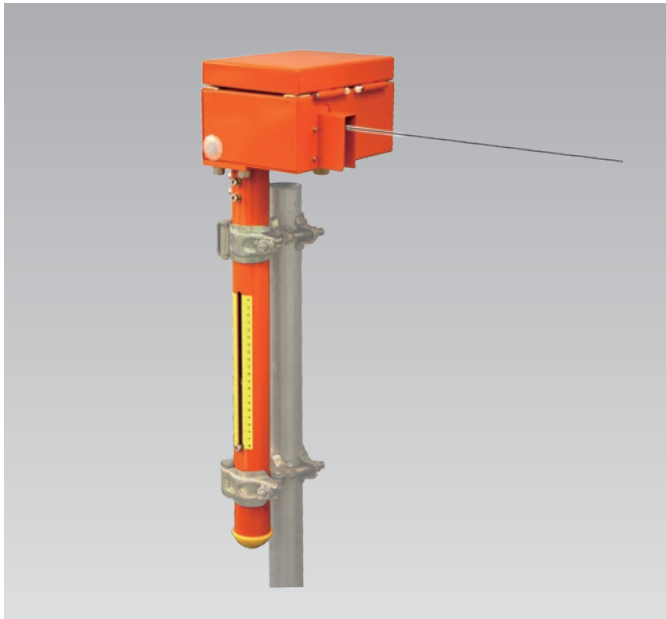


# Land slide measurement

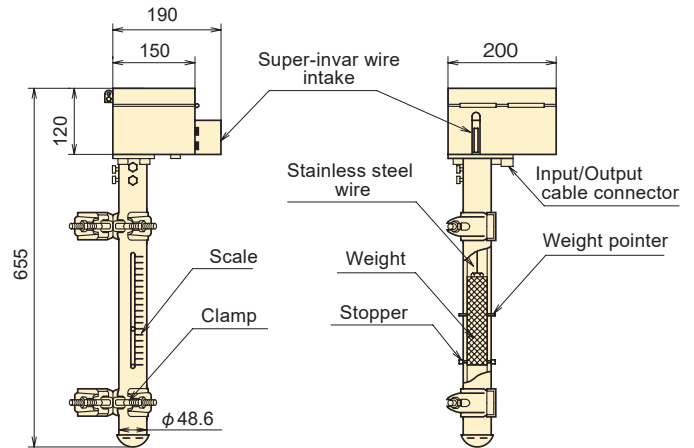
## KLG-A/NKLG-AB Ground Extension Gauge

Civil engineering design



Remote measurement  
Excellent stability  
Easy to handle  
Electrical insulation function

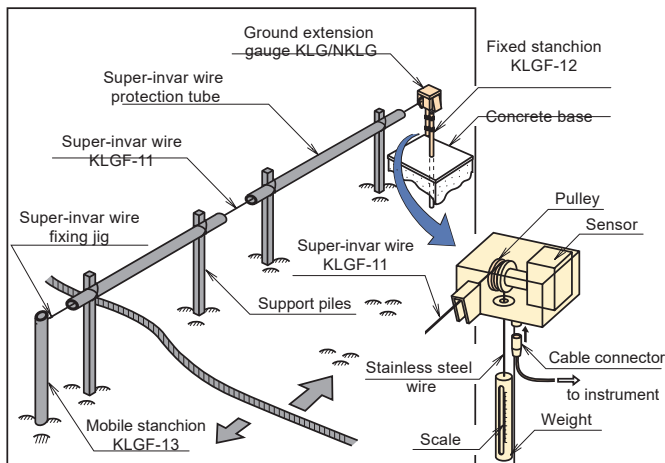
**BUILT-IN ARRESTOR**



The KLG-A ground extension gauge is used to measure the displacement of a ground surface. A super-invar wire is set between a stanchion at a reference point (fixed stanchion) and a stanchion at a measurement position (mobile stanchion) and this gauge is mounted on the stanchion at the reference point. The waterproof and environmental resistance features make this gauge suitable for on-site measurement work. The NKLG-AB model is designed specifically for use with the network measurement system TML-NET.

Protection ratings : IP 65 equivalent

### PRINCIPLE AND APPLICATION



### COMPATIBLE ACCESSORY

With KLG-A/NKLG-AB/KLG-B/NKLG-BB



KLG-11



KLG-14

### KLG-A SPECIFICATIONS

TYPE	KLG-200A
Capacity	200mm
Rated Output	2.5mV/V (5000×10 <sup>-6</sup> strain)
Non-linearity	1%RO
Allowable temperature range	-20 ~ +60°C (No icing)
Input/Output resistance	350Ω
Recommended exciting voltage	2V or less
Allowable exciting voltage	5V
Weight	10 kg

Input/Output cable :

CT9-4N2/WP-STB (φ9mm 0.5mm<sup>2</sup> 4-core shielded chloroprene cable 2m)

### NKLG-AB SPECIFICATIONS

TYPE	NKLG-200AB
Capacity	200mm
Rated indication	Approx. 5000 digits
Non-linearity	1%RO
Allowable temperature range	-20 ~ +60°C (No icing)
Channel set	Factory default (000~ 999)
Weight	10 kg

Supplied cable :

CT6-2R2/WP-STB (φ6mm 0.5mm<sup>2</sup> 2-core shielded vinyl cable 2m)

To activate electrical insulation function it requires the dedicated instrument as below.

TDS-540-03 and NDR-100, or TDS-150-06 including an option for Switching box/TML-NET driving board

#### Super-Invar wire KLG-11

The KLG-11 Super-Invar Wire is a wire used to connect an extension gauge to a mobile stanchion in order to transmit displacement. 0.5mm-dia. × 30m (Thermal expansion 1ppm or less)

#### Fixed Stanchion KLG-12

The KLG-12 Fixed Stanchion is installed at a reference point and is used to mount an extension gauge.

48.6mm-dia. × 1.5m

#### Mobile Stanchion KLG-13

The KLG-13 mobile Stanchion is installed at a measurement point and is used for fixing the other end of the Super-Invar Wire drawn from the extension gauge.

48.6mm-dia. × 1.5m

#### Crimp Pliers KLG-14

The KLG-14 Crimp Pliers are used to crimp the wire locks supplied with the Super-Invar Wire.